

# Aluminum Stair Railing

# Installation Guide

## THE BEST CHOICE FOR STRONG & DURABLE RAILING SYSTEMS

Our exclusive manufacturing process ensures our aluminum railing will provide superior strength plus it is virtually maintenance free. This guide will help make your installation easy.

### Please note:

It is the responsibility of the installer to conform to local building codes and safety requirements. It is also the installer's responsibility to obtain all necessary building permits. The purchaser and installer should review the intended use of the products with a licensed professional engineer to determine code compliance. We shall not be held liable for improper or unsafe installations.

These instructions are guidelines and do not cover every installation scenario. Review all instructions before starting railing installation. The installer may need to modify the exact installation method to meet unique site requirements.

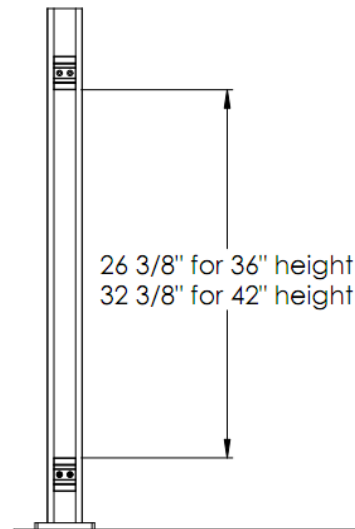
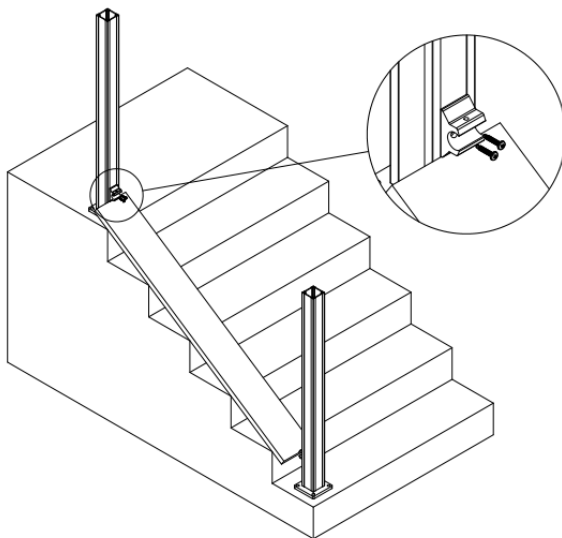
### Tools:

- Hacksaw or metal cutting saw
- Drill
- Drill bits 5/32"
- Screwdriver
- Measuring tape
- Level

## Step 1: Locate and install stair rail post & stair bracket base.

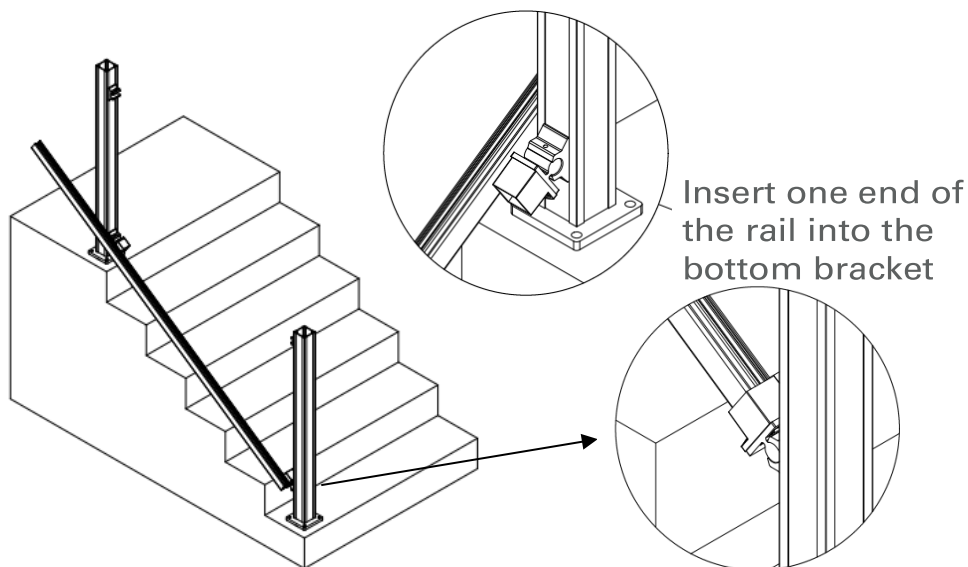
1. Measure and locate all posts.
2. Choose the appropriate fasteners to fasten the posts according to local regulations.
3. Use a 1" thick wood plate to position bottom stair bracket base. Secure the bracket to the base of the post using 2 #10-1" screws.
4. Position the top stair bracket base according to the bottom stair bracket base. Secure bracket base with post using 2 #10-1" screws.

**Note:** The brackets should be spaced  $26 \frac{3}{8}$ " apart for 36" tall railing and  $32 \frac{3}{8}$ " apart for 42" tall railing.



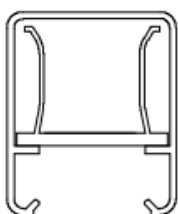
## Step 2: Cut and install top and bottom rail.

1. Cut the bottom and top rail to fit between posts if necessary.
2. Mark the other end of the rail at the top of the upper bracket.
3. Insert the rail into the bottom bracket.

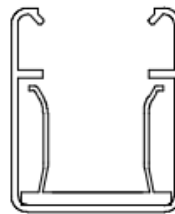


### IMPORTANT:

When installing the bottom rail, remove the vinyl insert from package and install it as show below. Additional spacers may be needed.



Straight Railing installation

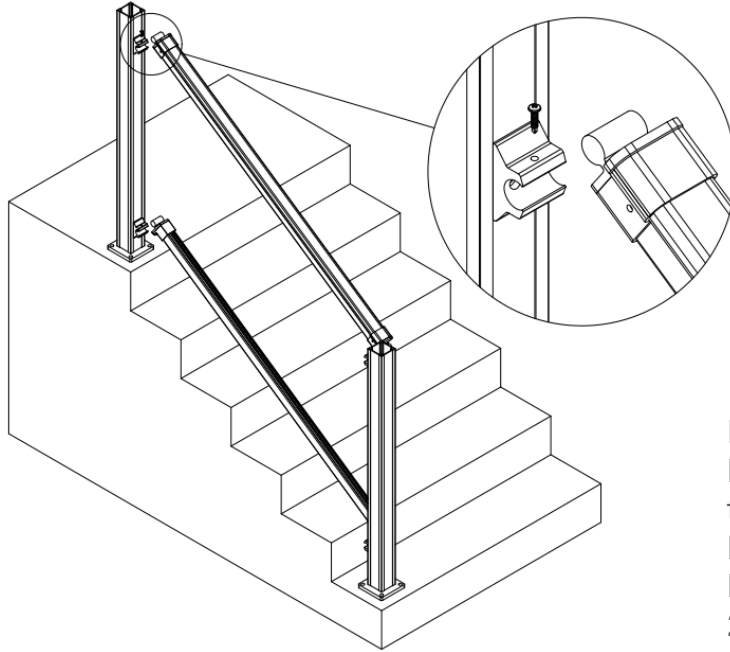


Stairs Railing installation



4. Insert the rail into the stair bracket and slide it into base bracket hole.

Align the bracket and base, then screw the bracket with base using 1 #8-3/4" screw.



Note :  
Push the top rail into  
the bottom of top stair  
bracket, secure top  
brackets with rail using  
2 #8-3/4" screws.

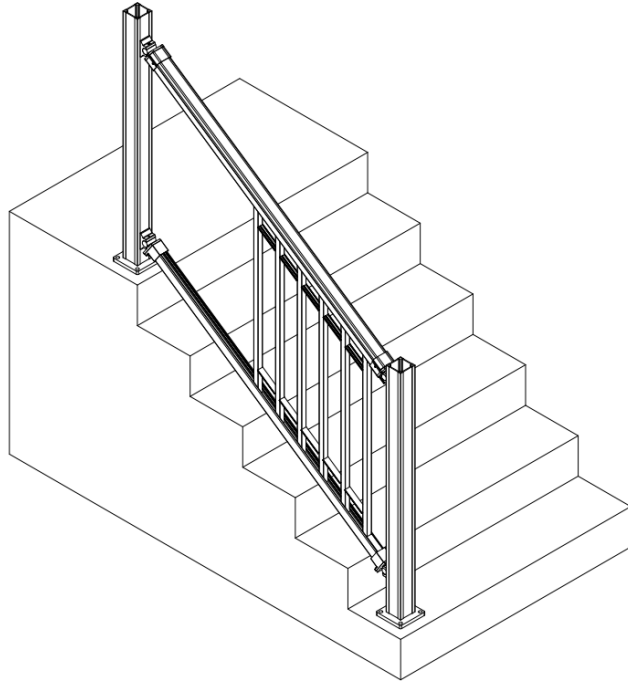
### Step 3: Install pickets and spacers.

1. Snap the spacer into place and insert pickets into top and bottom rail one by one as shown on the next page.

**IMPORTANT:** Install the last 4 pickets as a group and adjust the distance between the pickets BEFORE snapping the last 4 spacers into place.

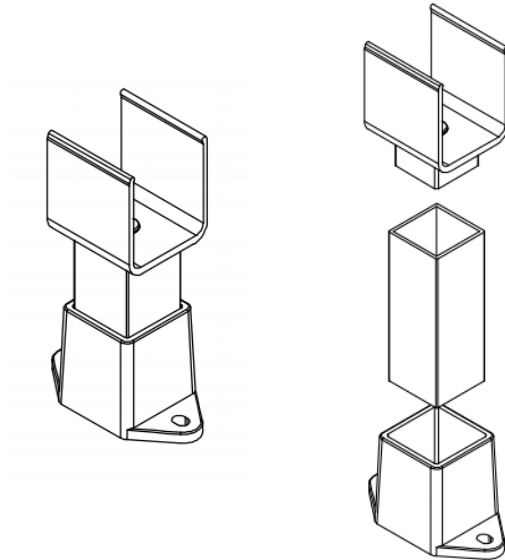
**Note:** The size of spacer for each rail end is different. (A special round label will be used to identify the end spacer.)

Cut the spacers to fit the rails if necessary. To ensure equal picket spacing at each post, cut first and last spacers to equal lengths.



## Step 5: Install the footblock.

1. Secure the 3-piece adjustable footblock into place. The middle part of the footblock may be cut to adjust the height as necessary.



## Step 6: Install the post cap and post trim.

1. Install the post cap and post trim after all other components installed. The post cap is pre-assembled with the post. Use a plastic hammer or similar tool to tighten it.

Install the post trim as following:

To install the post trim, place a drop of glue into each of the holes on the post trim (do not overflow). Fasten the post trim and press it tight about 6 seconds.

